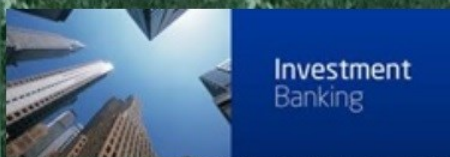


Pendulum Limited Partners



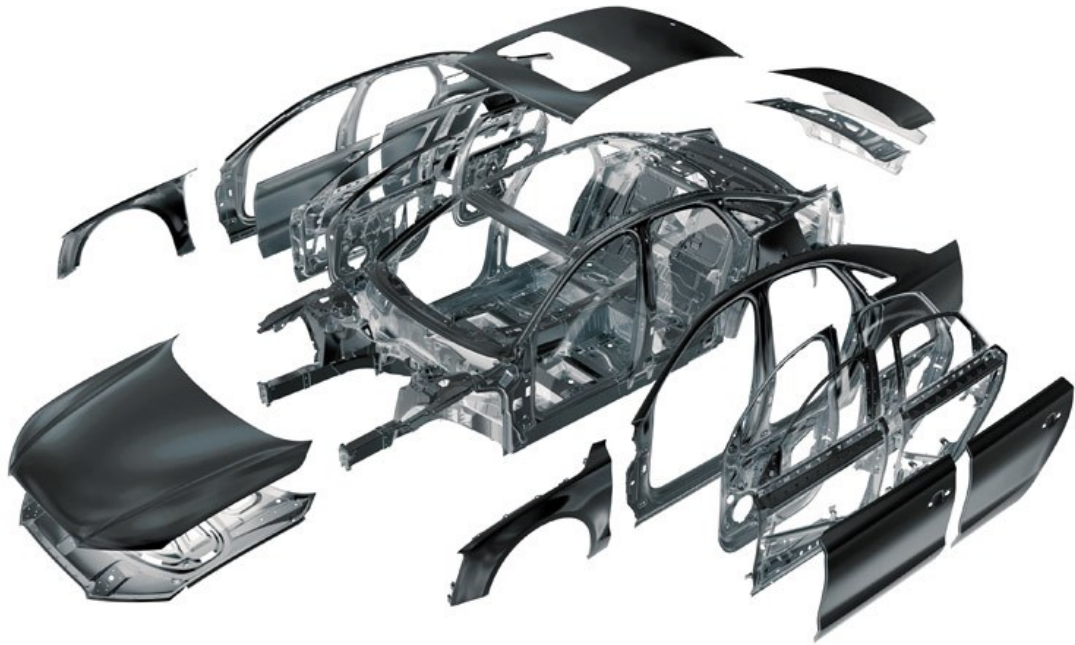
Venture Capital Investment Banker Partners – Manufactured Component Part Patent Investors



MERGERS & ACQUISITIONS



Aluminum Auto Body Parts Fabrication Corporation Mergers & Acquisition



Pendulum Limited Partners establishing an International Auto Body Parts Manufacturer

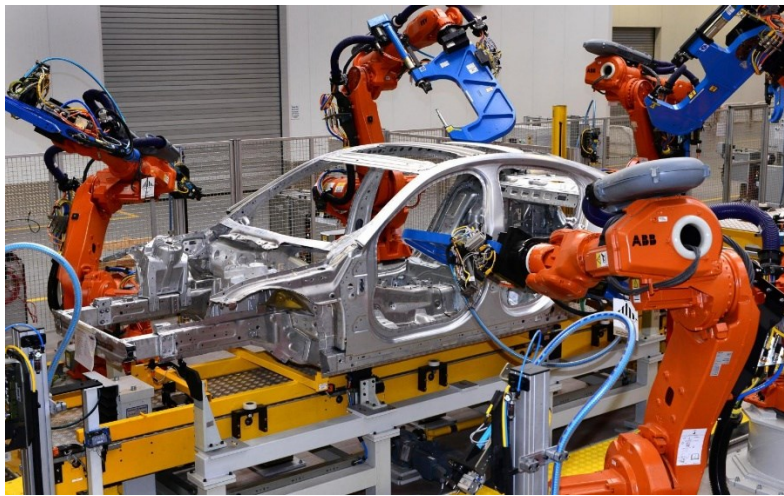


Auto Body Aluminum Fabrication Plant



MERGERS & ACQUISITIONS





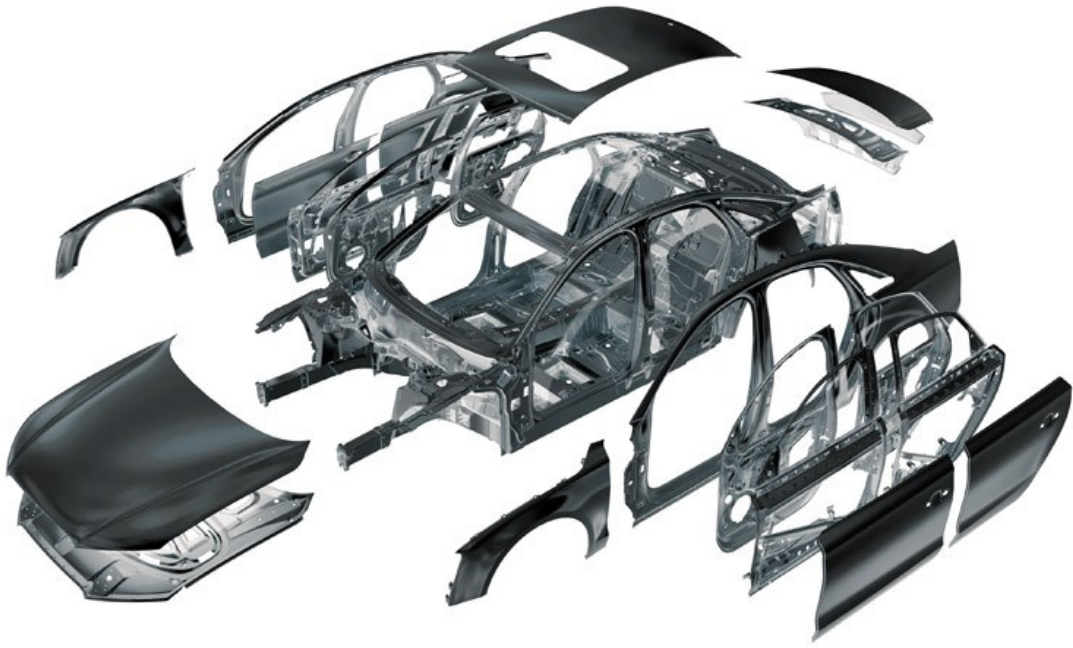


Aluminum Auto Body Stamping / Fabrication Press Unit



Aluminum Auto Body Stamping / Fabrication Press Unit

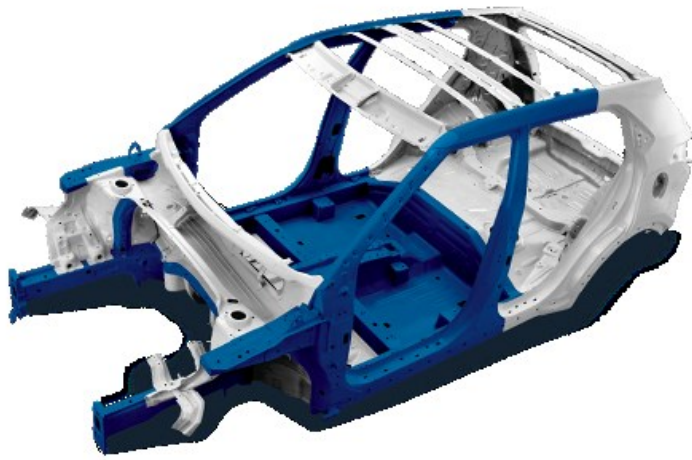




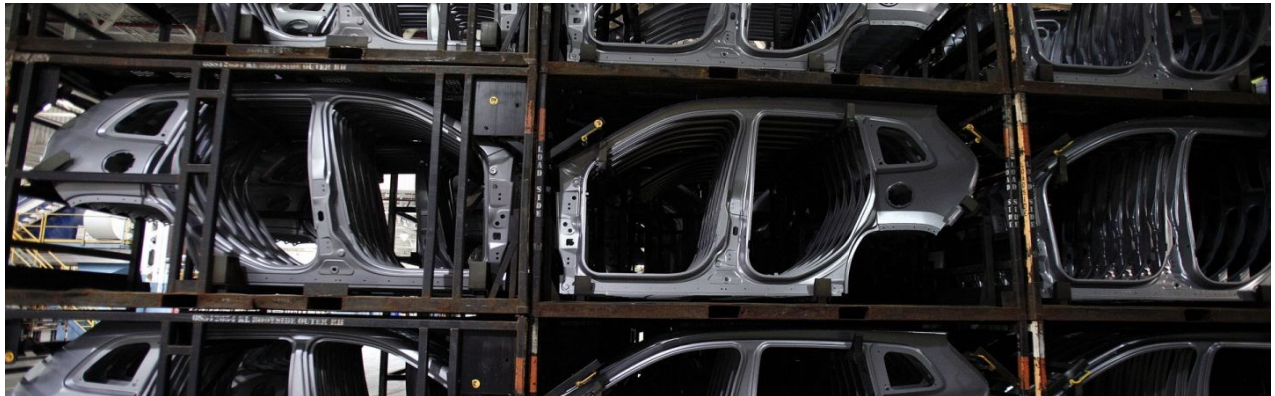
Audi A8 Awarding Winning Euro Car Body Intelligent Lightweight Design



Potential Aluminum Oxy Nitride Impenetrable Auto Door Inter Panel



www.CaribbeanPremiumMotors.com



Fiat Chrysler Auto Carriage Body Parts Plant Michigan



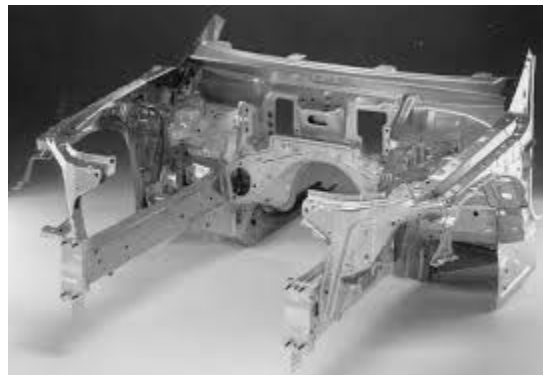
Audi Chassis Carriage Auto Body Plant



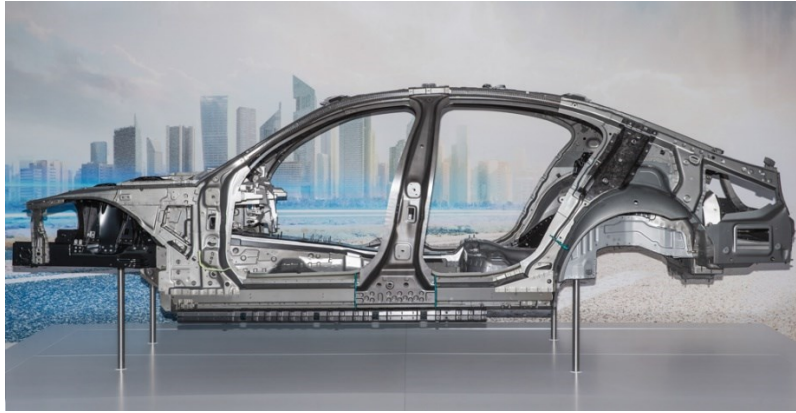
Aluminum Chassis Carriage Door Case



ZEXT Company – Manufacturer of Car Body Parts

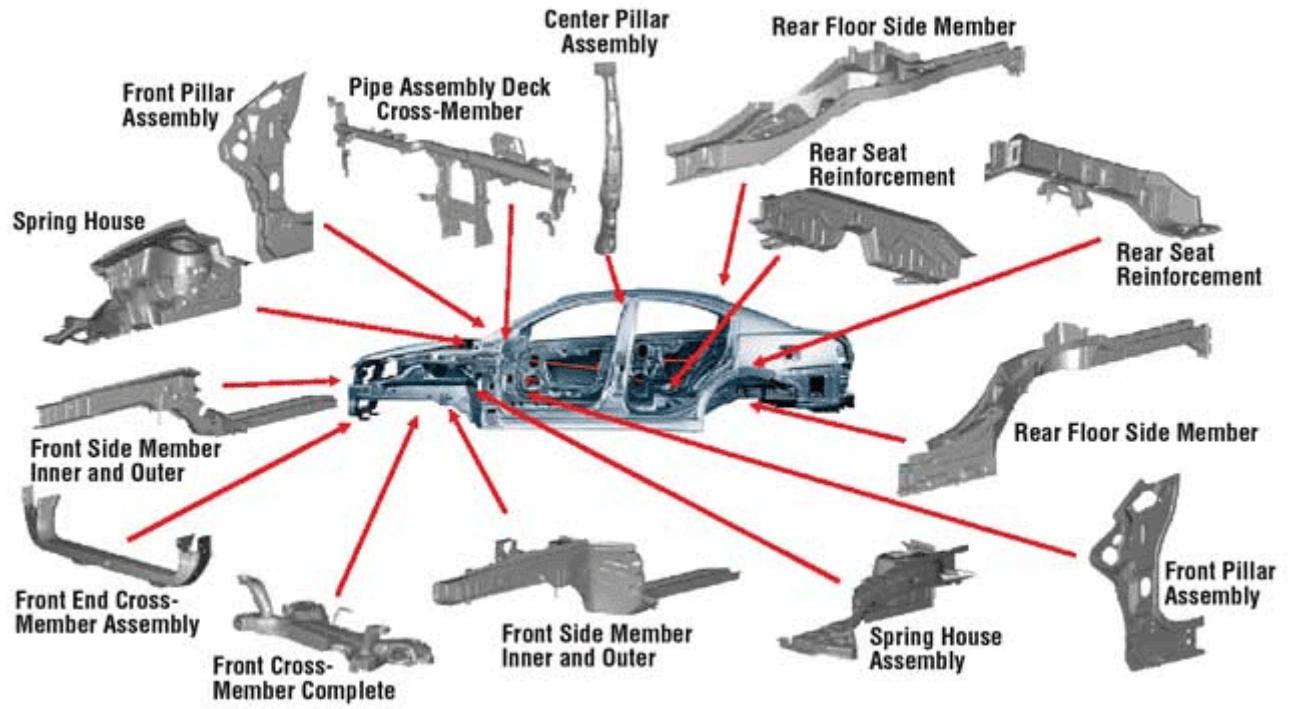


Aluminum Light Weight Auto Body



BMW Aluminum Chassis Carriage





CARIBBEAN PREMIUM MOTORS LTD.

Utility Drive,
St. John's
Antigua

Email: contact@caribbeanpremiummotors.com

Tel: (268) 481-2600/2

Tel: (268) 481-2611/5

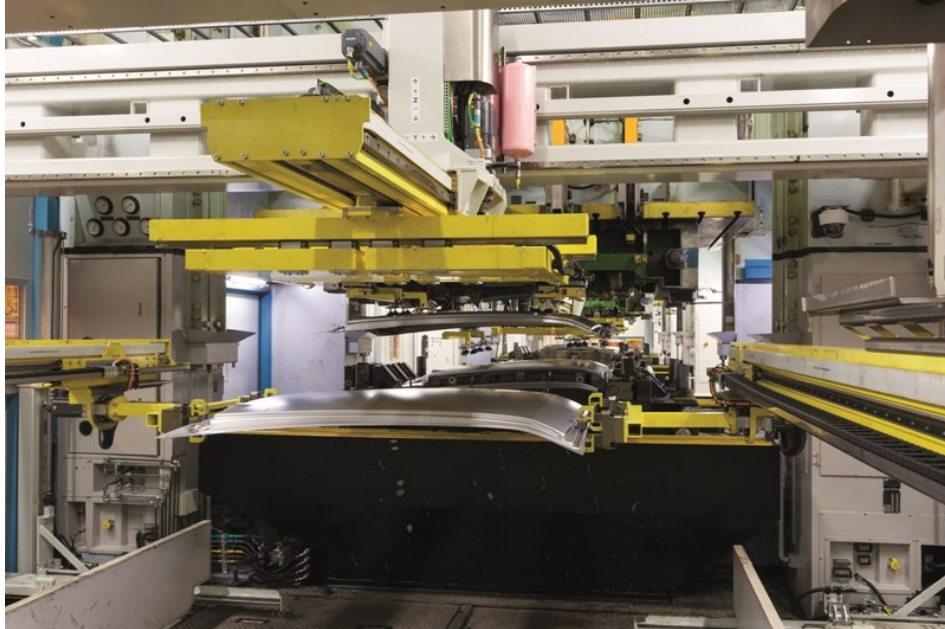
Service Center: (268) 481-2612

Fax: (268) 481-2603

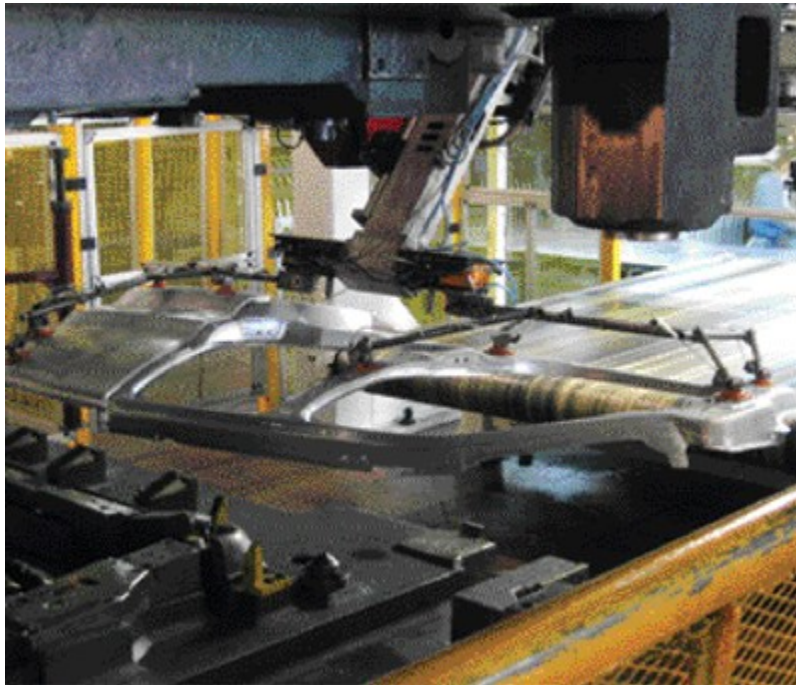




GM Auto Aluminum Body Fabrication / Stamping Plant



Auto Aluminum Roof Stamping / Fabrication Plant



Auto Aluminum Door Stamping / Fabrication Plant



Auto Chassis Carriage Assembly Plant

The Auto Chassis Carriage Component Assembly Line must be in the same location as the Automobile Assembly Plant, unlike other component of the Car that can be shipped to the Plant.



Nissan Aguascalientes Mexico Auto Assembly Plant